

## Hussar™ Card 2.4GHz RFID Active Tag (Model: HKRAT-CT02)

The Hussar™ Active Tag provides excellent reading range and reliability for high value applications such as people or asset tracking, inventory management, and supply chain management and so on.

It is smart card size, and can be used in vertical or horizontal. It has great RFID performance but of low cost. Photos or any required information can be shown and displayed on the card for identification purpose. This makes Hussar™ the best choice for People Management applications such as students and staff.

The Hussar™ tags is of standard size and thus can be fit to ISO card sticker. Its battery is also replaceable, which enables convenient application of the tags.

Hussar™ tags could be mapped with user information stored in the database and such information could be retrieved instantly. User behavior like visiting frequency could be gathered with the help of Hussar™ tags. Such information could be used for reference in future planning.

With its slim design, stable and impressive performance along with our active readers, Hussar™ tags would make an excellent and extendable system.



**Smart Card  
 Size**

**Hussar™ Card**  
 2.4Ghz Active RFID Tag  
 (P/N: HKRAT-CT02)

## Hussar™ is *SLIM*

**S**Smallest Tag with Replaceable Battery

**L**ong and Adjustable Read Range

**I**dentify 100 tags simultaneously

**M**etal and Human Body issues are solved!



### Applications:

- Customer Relationship Management
- Access Control
- Personnel Management
- Construction Safety

### Special Features:

- Stylish outlook
- Vertical or Horizontal
- No interference with other 2.4GHz network
- Low power consumption
- Battery replaceable

■ Specification for Hussar™ Card 2.4GHz Active Tag (HKRAT-CT02):

Frequency	2.4GHz ~2.5GHz ISM
RF Power Output	0dBm (1mW)
Power	16~18μA, 3V
Modulation	GFSK
Data Rate	1Mbps
Anti-Collision	Read more than 100 tags simultaneously
Operation	Read only
Battery Type	Lithium CR2032 replaceable coin cell
Battery Life	Around 2 years (battery life measured at 1-second motion beacon interval)
Reading Range	30 to 50 meters (Depends on Reader Antenna)
Dimension	87mm x 55mm x 4.8mm



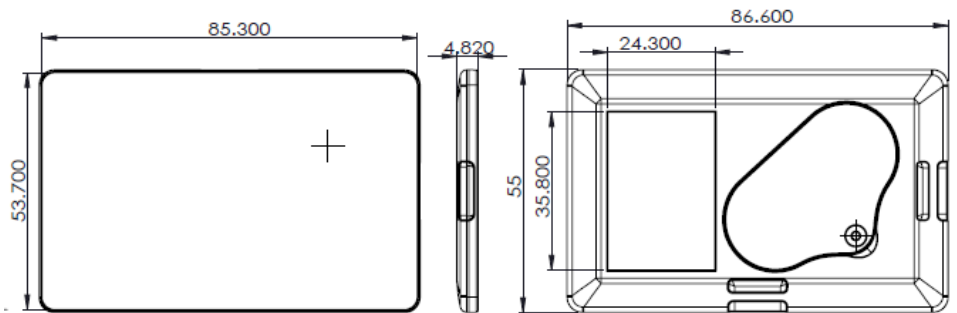
Recommended Label Dimension:  
24 mm x 36 mm

Hussar™ Card Tag Accessories:

- Lithium Coin battery (CR2032)



Tag Details:



Product Certificates:



Company Awards:



For enquiry, please contact:

Email: sales@hk-rfid.com

Tel: (852) 3426 9510 Fax: (852) 3426 9519

Distributor: